

Planetary Mixers

Planetary Mixer, 5 lt - Electronic with Hub, White

ITEM # _____

MODEL # _____

NAME # _____

SIS # _____

AIA # _____



600190 (EMX5BWH)

* NOT TRANSLATED *

Main Features

- Small, compact planetary mixer designed to whisk and mix, providing also good kneading results.
- Maximum capacity (flour, with 60% of hydration) 0,75 kg.
- Tools shape and size perfectly adapt to the bowl for uniform mixing of even small quantities.
- Electronic speed variator.
- Removable safety screen activates the raising and lowering of the bowl.
- Delivered with:-Paddle, Semi-spiral Hook, Wire Whisk and Mixing Bowl for 5,5 lt-K type accessory drive hub (accessories are not included)
- Safety device will automatically stop the machine when the bowl is lowered.
- Bowl detection device allows the mixer to switch on only when the bowl and the solid safety screen are properly installed and positioned together.

Construction

- Compact design.
- Semi-spiral hook, paddle and wire whisk in stainless steel.
- 304 AISI stainless steel bowl with 2 handles - 5,5 lt capacity.
- Universal powerful motor with high start-up torque and overload protection.
- Variable speed from 40 to 240 rpm (planetary movement), to adjust to the selected tool and mixture hardness.
- Variable speed rotation of the tools from 84 rpm to 500 rpm.
- Power: 500 watts.
- Transparent solid safety screen made of Eastman Tritan™ copolyester BPA free, impact resistant and stays clear and durable after several dishwashing cycle. Eastman&Tritan are trademarks for Eastman Chemical Company.
- Water protected planetary system (IP55 electrical controls, IP34 overall machine).

Included Accessories

- 1 of - NOT TRANSLATED - PNC 653754
- 1 of - NOT TRANSLATED - PNC 653755
- 1 of Additional stainless steel paddle 5 lt PNC 653756
- 1 of Additional stainless steel whisk 5 lt PNC 653757

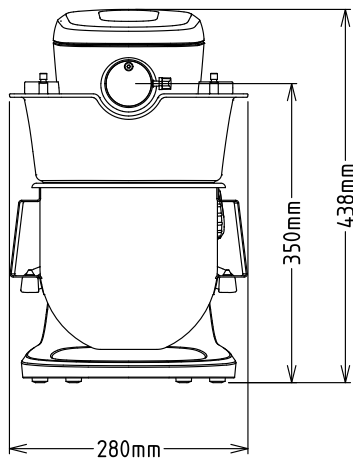
Optional Accessories

- 60 mm meatmincer for attachment type K (12 mm square hub) and 1 disc PNC 653043
- 3 discs (3-4,5-8 mm) for meatmincer PNC 653044
- - NOT TRANSLATED - PNC 653296
- - NOT TRANSLATED - PNC 653298
- - NOT TRANSLATED - PNC 653300
- - NOT TRANSLATED - PNC 653754

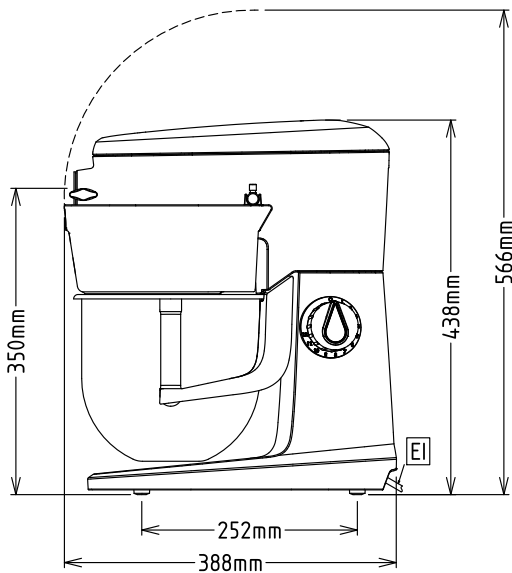
APPROVAL: _____

- - NOT TRANSLATED - PNC 653755
- Additional stainless steel paddle 5 lt PNC 653756
- Additional stainless steel whisk 5 lt PNC 653757

Front

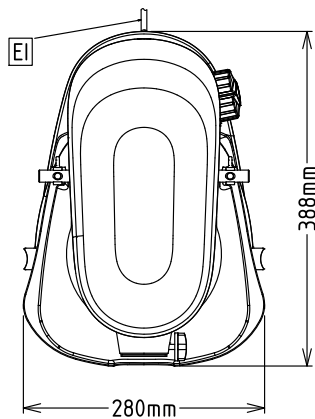


Side



EI = Electrical inlet (power)

Top



Electric

Supply voltage:

600190 (EMX5BWH) 200-240 V/1N ph/50/60 Hz

Total Watts:

0.5 kW

Capacity:

Performance (up to): 0.75 kg/Cycle

Capacity: 5.5 litres

Key Information:

External dimensions, Width: 280 mm

External dimensions, Depth: 388 mm

External dimensions, Height: 438 mm

Shipping weight: 15 kg

Net weight (kg): 11

Cold water paste: 0.75 kg with Semi spiral hook

Egg whites: 12 with Whisk